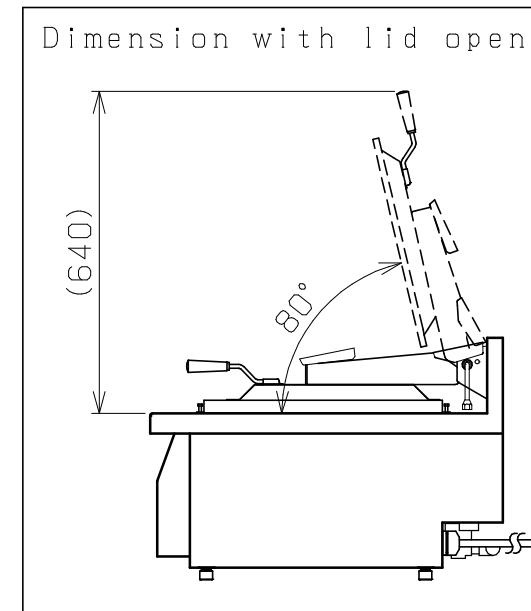
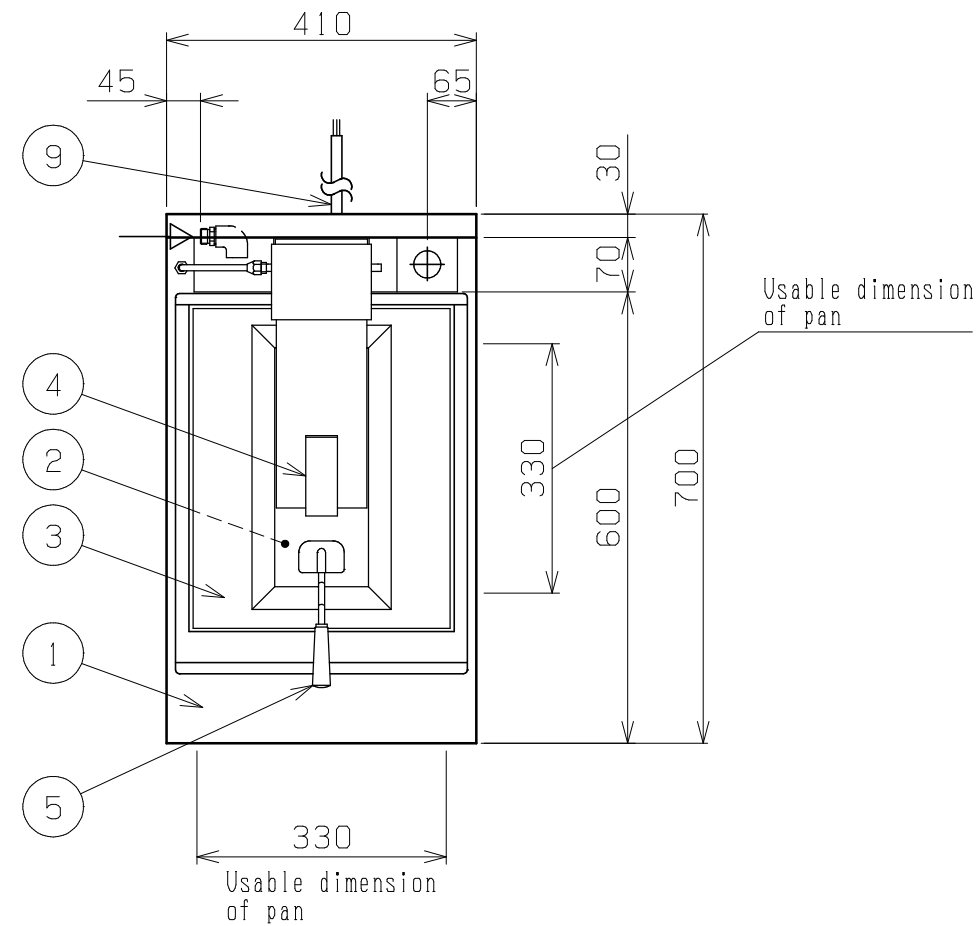
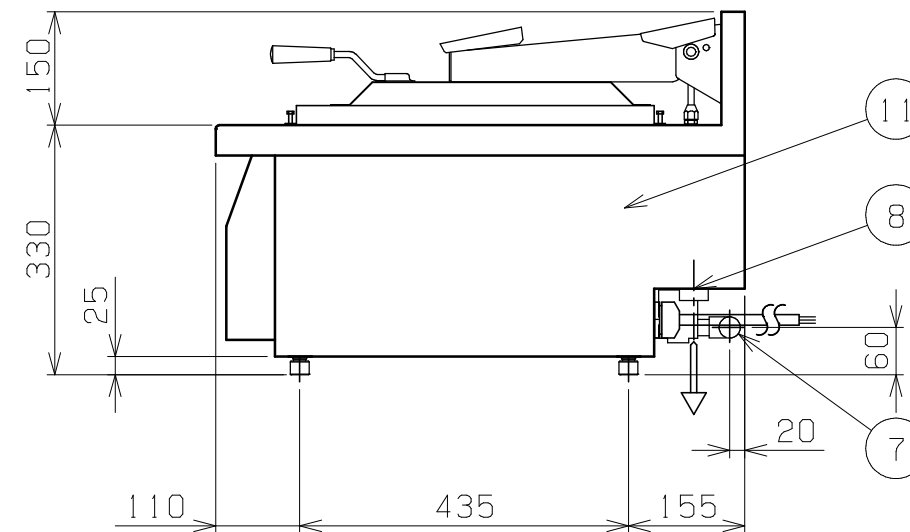
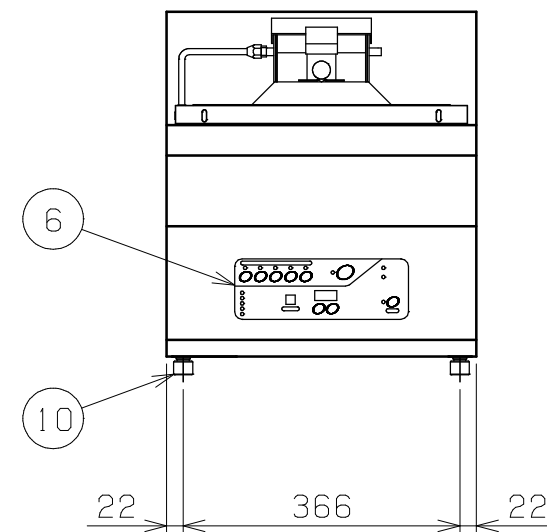


No.	NAME	MODEL	DIMENSION	QUANTITY
	Electric Automatic Gyoza Cooker	MAZE-C6S3	410×700×330	



Type	1 Pan (6 servings)
Pan dimension	330 (W) × 330 (D) × t9.0
Power	1φ 230V 50/60Hz 4.5kVA
Power consumption	4.5kW
Rated current	19.6A
Weight	50kg
Accessory	Trash receiver X1



No.	Parts name	Material	Note
1	Top	SUS430	#400
2	Pan	clad steel plate	Pan frame (SUS430)
3	Lid	SUS430	Removable
4	Damper		
5	Handle	Nylon	
6	Operation panel		
7	Feed-water inlet		15A (G1/2)
8	Drain outlet		25A (Rp1)
9	Power cord		2m 12AWG-3core
10	Adjust	SUS304	
11	Side plate	SUS430	#400

※ Perform installation and construction according to local laws.  
 ※ For improvement, specifications and the appearance may change without any notice.



General commercial kitchen Appliances & Equipment



ALTERATION

SCALE  
A3: 1/10

DATE

DRAWING No.  
09459

TITLE

DATE OF DELIVERY

CHECK

DESIGN

DRAW

CHARGE

DRAWING CORD  
Electric Automatic Gyoza Cooker

No.