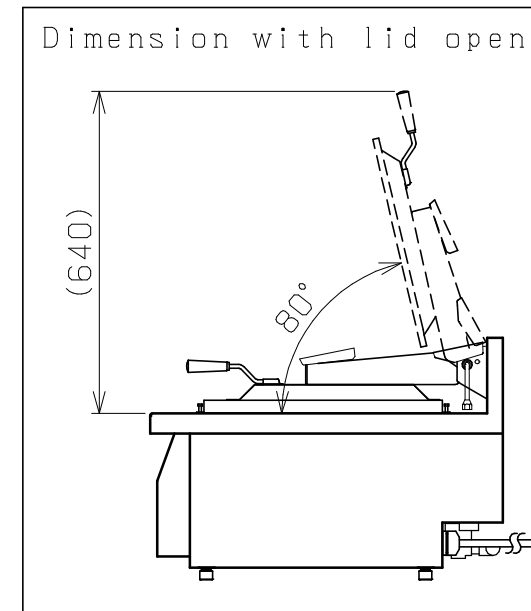
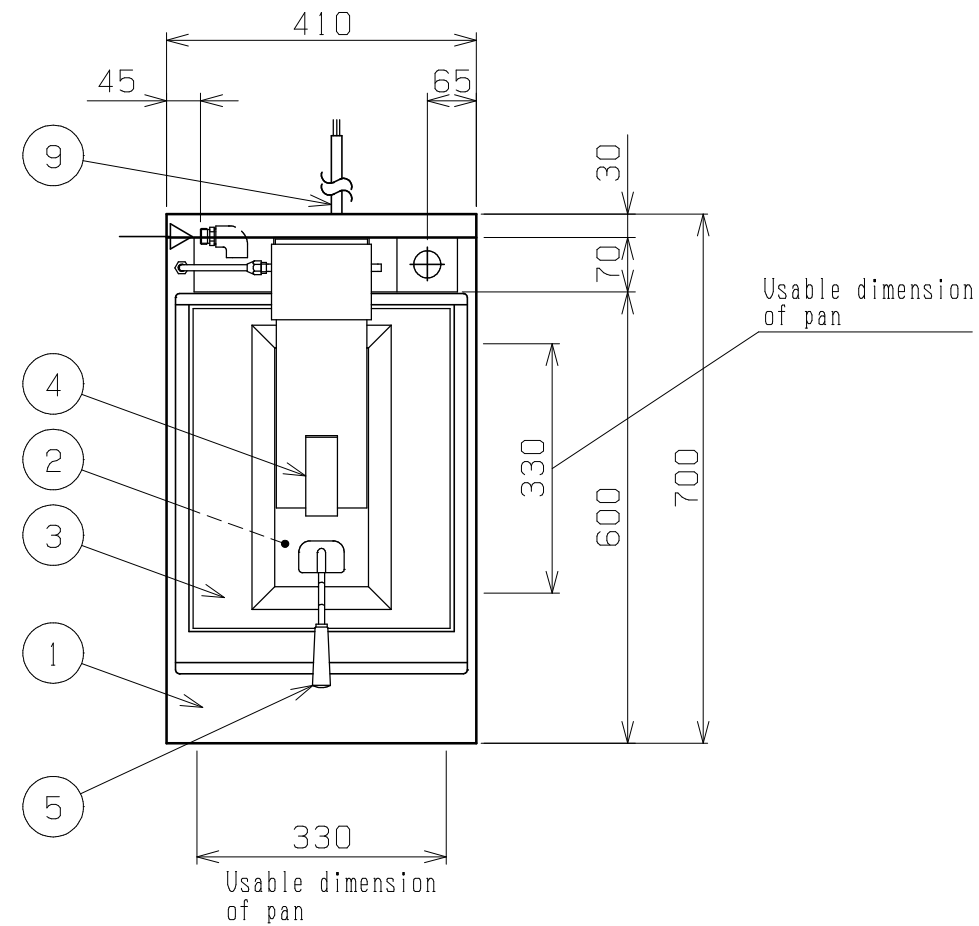
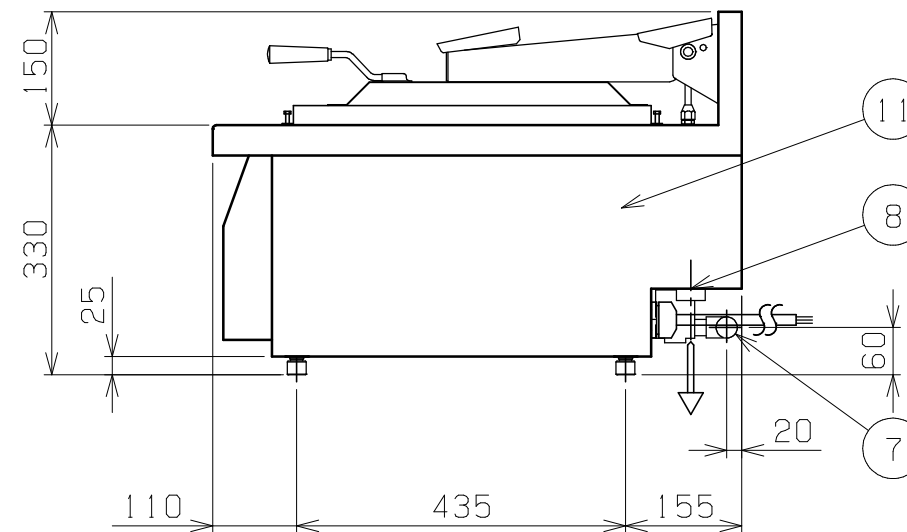
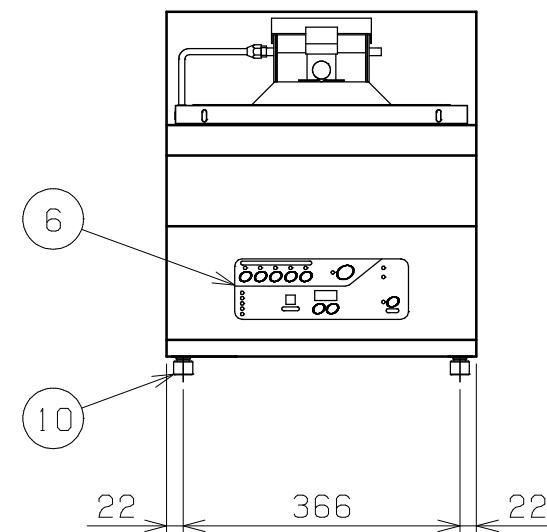


| No. | NAME | MODEL | DIMENSION | QUANTITY |
|-----|---------------------------------|-----------|-------------|----------|
| | Electric Automatic Gyoza Cooker | MAZE-C6S4 | 410×700×330 | |



| | |
|-------------------|--------------------------|
| Type | 1 Pan (6 servings) |
| Pan dimension | 330 (W) × 330 (D) × t9.0 |
| Power | 1φ 240V 50/60Hz 4.5kVA |
| Power consumption | 4.5kW |
| Rated current | 18.8A |
| Weight | 50kg |
| Accessory | Trash receiver X1 |



| No. | Parts name | Material | Note |
|-----|------------------|------------------|--------------------|
| 1 | Top | SUS430 | #400 |
| 2 | Pan | clad steel plate | Pan frame (SUS430) |
| 3 | Lid | SUS430 | Removable |
| 4 | Damper | | |
| 5 | Handle | Nylon | |
| 6 | Operation panel | | |
| 7 | Feed-water inlet | | 15A (G1/2) |
| 8 | Drain outlet | | 25A (Rp1) |
| 9 | Power cord | | 2m 12AWG-3core |
| 10 | Adjust | SUS304 | |
| 11 | Side plate | SUS430 | #400 |

※ Perform installation and construction according to local laws.
 ※ For improvement, specifications and the appearance may change without any notice.



General commercial kitchen Appliances & Equipment



ALTERATION

SCALE
A3: 1/10

DATE

DRAWING No.
09460

TITLE

DATE OF DELIVERY

CHECK

DESIGN

DRAW

CHARGE

DRAWING CORD

Electric Automatic Gyoza Cooker

No.