

Deluxe Type Gas Range (Equipped with Universal Burner/Top Exhaust)

Safety and Comfort pursued by Top Exhaust! Fully made of stainless steel, excellent in durability.



- Adopting [Top Exhaust] improved safety and reduce restriction on kitchen layout. Also, our original air heat insulating design prevents overheat of the main body and improves comfort.
- High-calorie Universal Burner is used for top burner, which is helpful in a wide variety of menu ranging from large-volume speedy cooking to stewing cooking with a low flame. The structure prevents getting clogged and is safe as the fire does not die out by boiling-over.
- Heating from below and from the top effectively heats the oven up, offering an even and best finish of the cooked food.
- Both outer and inner part of the oven are made of stainless steel. It is not only better in durability but also excellent from a sanitary point of view. Especially, frosted SUS 430 No.4 is used for the top, which creates a sophisticated looking.
- There are 7 models in total, such as standard type, counter type, equipped with hot plate or double-sided type. You can choose the best one for your purpose of use.
- We also have back guard as option part.

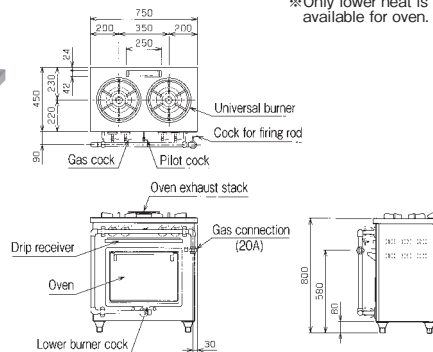
Deluxe Type Gas Range

MGRD-074D

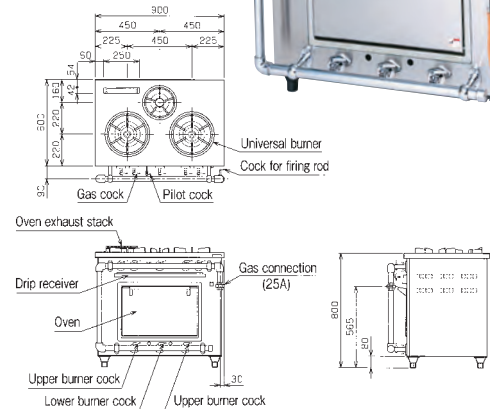
Counter type

※Only lower heat is available for oven.

Depth
450
mm

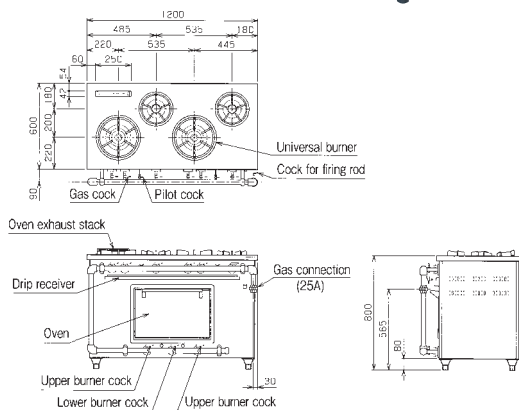


MGRD-096D

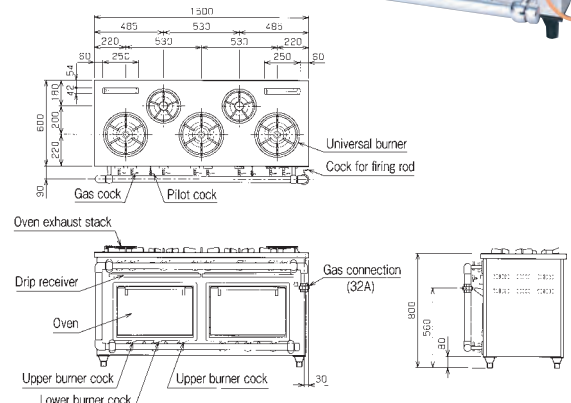


MGRD-126D

Depth
600
mm



MGRD-156D

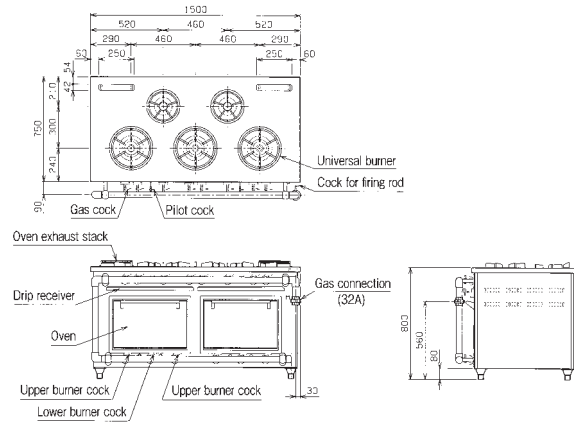


● Each model of MGRD, except for 159W, has a type with the gas connection on the left side. This is shown in the model name with a letter L at the end. (The price is the same.)

Deluxe Type Gas Range (Equipped with Universal Burner/Top Exhaust)

MGRD-157D

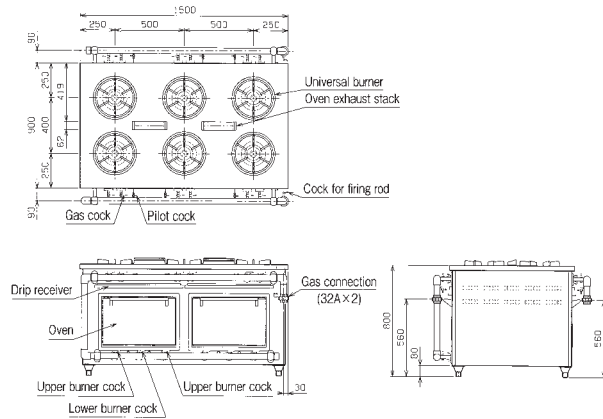
Depth
750
mm



MGRD-159WD

Double-sided

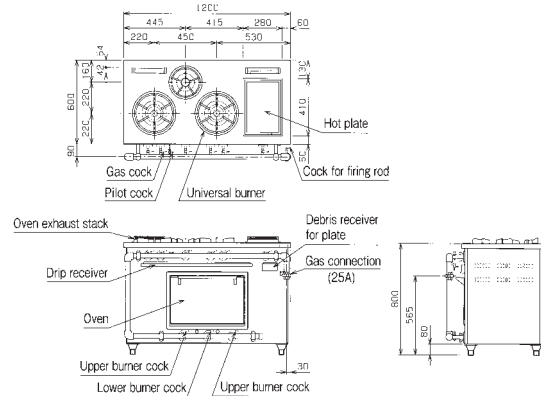
Depth
900
mm



MGRD-126TD

With hot plate

Depth
600
mm



Deluxe Type Gas Range Specifications Table

※1 Maximum pot diameter for $\phi 175$ burner is $\phi 360$ mm and for $\phi 125$ burner is $\phi 300$ mm.

Model	External dimension (mm)			Usable side	No. of burners ※1					No. of ovens	Inside of oven usable dimension (mm)			Gas consumption		Gas connection (union)	Weight (kg)
	Width	Depth	Height		Top		Oven		Hot plate		Width	Depth	Height	Town gas	LP gas		
					$\phi 175$	$\phi 125$	Upper heat	Lower heat									
MGRD-074D counter type	750	450	800	Single	2	—	—	1	—	1	420	320	320	28.6kW(24,600kcal/h)	28.6kW(2.05kg/h)	20A	74
MGRD-096D	900	600	800	Single	2	1	2	1	—	1	470	470	320	37.9kW(32,600kcal/h)	37.9kW(2.72kg/h)	25A	103
MGRD-126D	1,200	600	800	Single	2	2	2	1	—	1	470	470	320	44.0kW(37,800kcal/h)	44.0kW(3.15kg/h)	25A	117
MGRD-156D	1,500	600	800	Single	3	2	4	2	—	2	470	470	320	63.7kW(54,800kcal/h)	63.7kW(4.57kg/h)	32A	182
MGRD-157D	1,500	750	800	Single	3	2	4	2	—	2	470	470	320	63.7kW(54,800kcal/h)	63.7kW(4.57kg/h)	32A	201
MGRD-159WD double-sided	1,500	900	800	Double	6	—	4	2	—	2	470	750	320	93.7kW(80,600kcal/h)	93.7kW(6.72kg/h)	32A×2	276
MGRD-126TD with hot plate	1,200	600	800	Single	2	1	2	1	1	1	470	470	320	41.0kW(35,250kcal/h)	41.0kW(2.94kg/h)	25A	130

●Accessories: tray, grill, grill pan handle

●Each model of MGRD, except for 159W, has a type with the gas connection on the left side. This is shown in the model name with a letter L at the end. (The price is the same.)