

Easy-to-use and simple design and low price, the ultimate functionality of gas range and gas table!

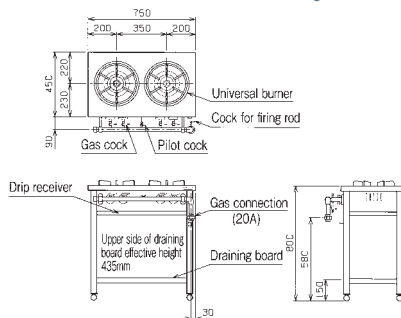
- Top burner has a clogging-preventive structure which is safe from fire dying out by boiling over.
- Heating from below and from the top effectively heats the oven up, offering an even and best finish of the cooked food.
- Our original air heat insulating design prevents the main body from overheating.
- The oven is fully made of stainless steel. It is not only improving durability but also excellent from a sanitary point of view. Especially, frosted SUS 304 No.4 is used for the top, which creates a sophisticated looking.
- There are 14 models in total, 7 models for gas range, 5 models for gas table and 2 models for soup range. You can choose the best one for your purpose of use.
- We also have option part of back guard for gas range / gas table and back guard and side guards for soup range respectively.

Standard Type Gas Table

MGT-074DS

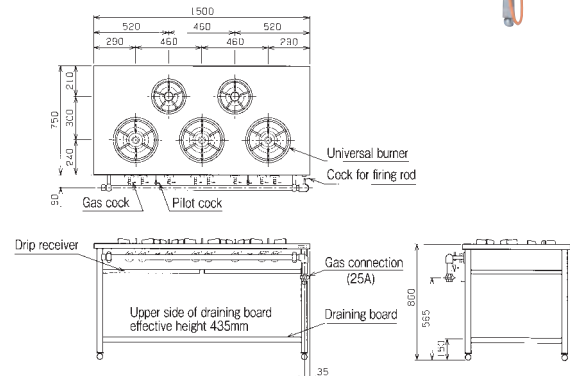
Counter type

Depth
450
mm



MGT-157DS

Depth
750
mm

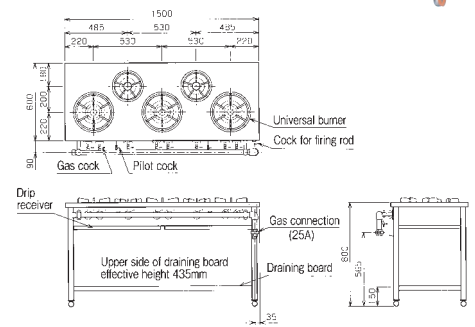
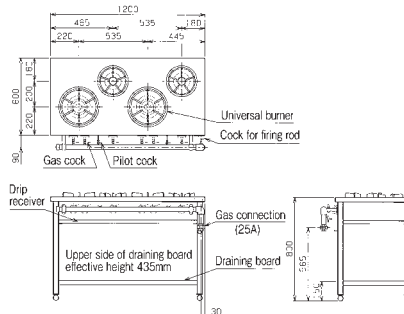
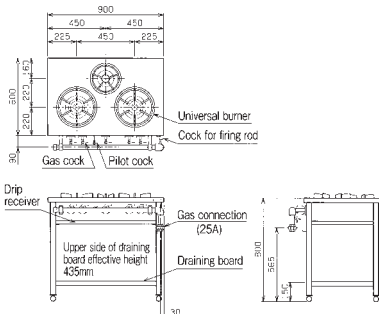


MGT-096DS

MGT-126DS

MGT-156DS

Depth
600
mm



● Each model of MGR, except for 159W, has a type with the gas connection on the left side. This is shown in the model name with a letter L at the end. (The price is the same.)

Standard Type Gas Table Specifications Table <MGT> *Maximum pot diameter for $\phi 175$ burner is $\phi 360$ mm & for $\phi 125$ burner is $\phi 300$ mm.

Model	External dimension (mm)			Usable side	No. of burners		Gas consumption		Gas connection (union)	Weight (kg)
	Width	Depth	Height		Top		Town gas	LP gas		
					$\phi 175$	$\phi 125$				
MGT-074DS counter type	750	450	800	Single	2	—	24.2kW (20,800kcal/h)	24.2kW (1.73kg/h)	20A	36
MGT-096DS	900	600	800	Single	2	1	30.2kW (26,000kcal/h)	30.2kW (2.17kg/h)	25A	48
MGT-126DS	1,200	600	800	Single	2	2	36.3kW (31,200kcal/h)	36.3kW (2.60kg/h)	25A	59
MGT-156DS	1,500	600	800	Single	3	2	48.4kW (41,600kcal/h)	48.4kW (3.47kg/h)	25A	76
MGT-157DS	1,500	750	800	Single	3	2	48.4kW (41,600kcal/h)	48.4kW (3.47kg/h)	25A	90