

## **Standard Series** (Equipped with Universal Burner)

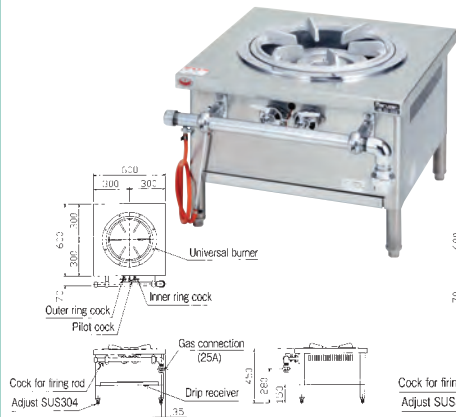
# **Easy-to-use and simple design and low price, the ultimate functionality of gas range and gas table!**

- Top burner has a clogging-preventive structure which is safe from fire dying out by boiling over.
- Heating from below and from the top effectively heats the oven up, offering an even and best finish of the cooked food.
- Our original air heat insulating design prevents the main body from overheating.
- The oven is fully made of stainless steel. It is not only improving durability but also excellent from a sanitary point of view. Especially, frosted SUS 430 No.4 is used for the top, which creates a sophisticated looking.
- There are 14 models in total, 7 models for gas range, 5 models for gas table and 2 models for soup range. You can choose the best one for your purpose of use.
- We also have option part of back guard for gas range / gas table and back guard and side guards for soup range respectively.

# Outer Piping Soup Range

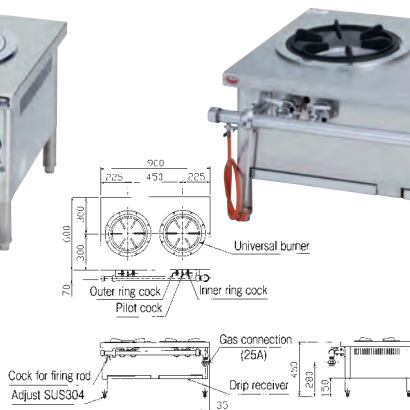
Depth  
**600**  
mm

## MLSG-066



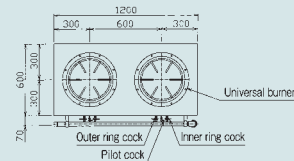
※Please use stockpot of  $\phi 360\sim 510$ mm.

## MLSG-096



※Please use stockpot of  $\phi 270\sim 390$ mm.

## MLSG-126



※Please use stockpot of  $\phi 360\sim 510$ mm.

### Outer Piping Soup Range Specifications Table <MLSG>

Model	External dimension (mm)			Usable side	No. of burners		Gas consumption		Gas connection (union)	Weight (kg)
	Width	Depth	Height		Top		Town gas	LP gas		
					$\phi 223$	$\phi 250$				
MLSG-066	600	600	450	Single	—	1	18.6kW (16,000kcal/h)	18.6kW (1.33kg/h)	25A	47
MLSG-096	900	600	450	Single	2	—	30.2kW (26,000kcal/h)	30.2kW (2.17kg/h)	25A	67
MLSG-126	1,200	600	450	Single	—	2	37.2kW (32,000kcal/h)	37.2kW (2.67kg/h)	25A	91